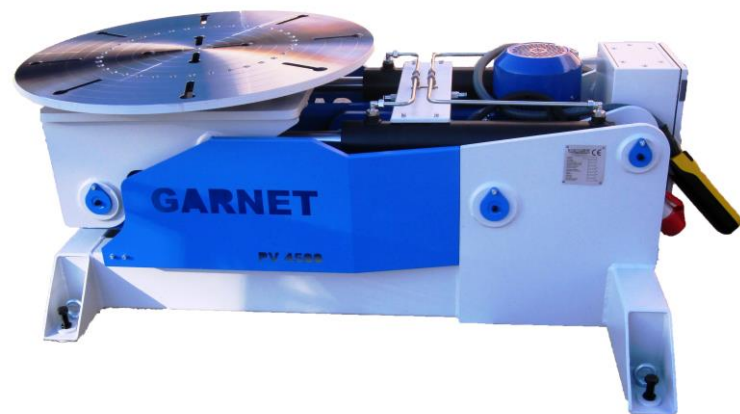


HIDROGARNE

Specialists in the manufacture of tailormade hydraulic positioners

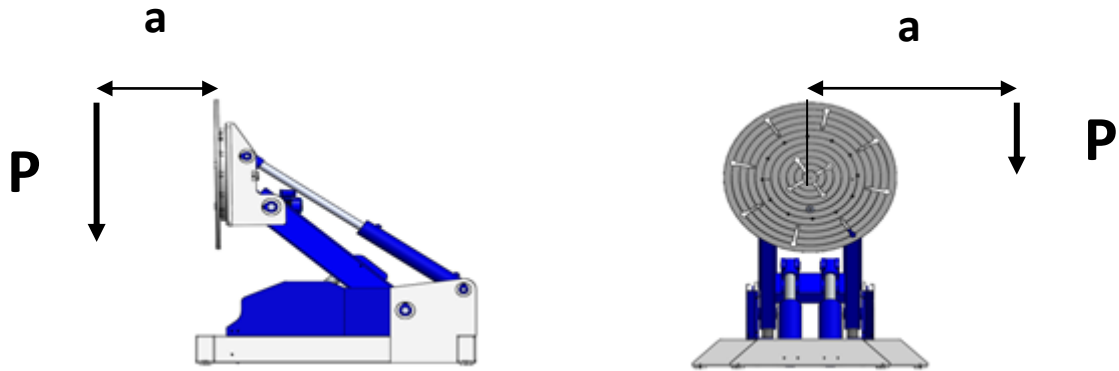
THREE AXES POSITIONER

PV SERIES



GARNET

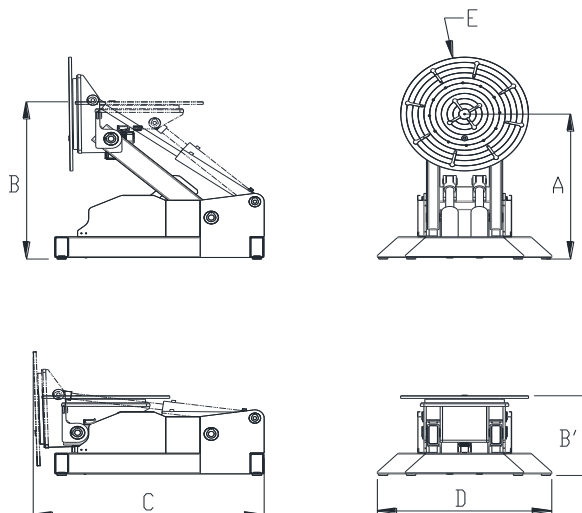
LOADING CAPACITIES:



PV-1000	P (kg)*	1000	800	700	500	300	200	100	50
	a (mm)*	400	450	500	600	700	800	900	1000
	b (mm)*	90	100	105	115	130	140	155	175
PV-2000	P (kg)*	2000	1800	1700	1500	1300	1200	1100	1000
	a (mm)*	400	450	500	600	700	800	900	1000
	b (mm)*	90	100	105	115	130	140	155	175
PV-4500	P (kg)*	4500	3900	3500	3000	2500	2300	2000	1500
	a (mm)*	500	550	600	700	900	1000	1200	1500
	b (mm)*	75	85	95	110	130	140	160	210
PV-7000	P (kg)*	7000	6100	5400	4200	3300	2700	2100	1600
	a (mm)*	500	550	600	750	1000	1200	1500	2000
	b (mm)*	85	95	110	140	165	220	280	350
PV-10000	P (kg)*	10000	8800	7300	6000	4700	4200	2750	2200
	a (mm)*	500	550	600	700	1000	1200	1500	2000
	b (mm)*	75	90	105	130	165	185	200	310

TECHNICAL FEATURES:

MODEL	PV-1000	PV-2000	PV-4500	PV-7000	PV-10000
Max. Capacity (Kg)	1000	2000	4500	7000	10000
Motor power (kw)	2 + 0,37	4 + 0,37	5.5 + 0,5	7.5 + 0,75	11 + 0,75
Table dimensions: E (mm)	Ø720	Ø800	Ø1100	Ø1500	Ø1500
Table tilting β (degree)	0-92	0-92	0-92	0-92	0-92
Ascent time of the table (s)	18	18	18	50	50
Descent time of the table (s)	12	12	12	34	34
Table rotation speed (rpm)	1,2-1,8	1,2-1,8	0,8-1,2	0,8-1,2	0,7-1,0
Max. height with vertical table: A (mm)	1350	1350	1400	2350	2550
Max. height with horizontal table: B (mm)	1450	1450	1520	2500	2680
Min. height with horizontal table: B' (mm)	750	750	770	850	975
Max. length : C (mm)	1815	1925	1985	3250	3400
Max. width: D (mm)	1100	1400	1500	2000	2100
Weight (Kg)	1000	1200	1500	2800	3100



These positioners are designed to carry out welding, adjusting and assembly operations in optimal security conditions. The innovative characteristics of this positioner, truly unique in its field because of its capabilities, offer the possibility to execute the following operations:

- Continuous and bidirectional rotation
- Plate inclination
- Plate elevation

The rotation is carried out through a reducer motor device with a slew ring. Inclination and elevation is executed through oleo-dynamic cylinders.

The infinite working positions it offers, makes the machine operator work in a secure and ergonomic position. This reduces remarkably the working time and avoids depending on auxiliary elevation elements

Our standard production is available in four carrying capacities, 1000 kg, 2000 kg, 4500 kg, 7000 kg and 10000 kg. Under request we can make other capacities.

Lower bed: designed for a highly steady behaviour and put together by highly resistant structural profiles that allow the execution of elevation, inclination and rotation of big workpieces and weights in secure conditions.

Plate with rotation device: It permits the continuous and the bidirectional rotation of the workpiece that is being handled. The plate is made of high elastic limit sheet metal and has well positioned holes and slots to achieve a secure fixation of the workpiece through rapid attachment accessories. The slew ring acts as a joint element between the lower bed and the workpiece holder plate.

Maneuver: The machine is supplied with a control button bar that permits executing all the maneuvers. The button bar disposes of a regulator such as a potentiometer to easily control the speed of the plate rotation.

ELEVATION AND INCLINATION. Oleo-dynamic mechanism that works at a constant speed. The infinite combinations of both movements permit operate in an optimal way during the adjustment and welding maneuvers and/or during the assembly in multiple applications.

ROTATION. The mechanism disposes of a progressive starting and stopping system.

OPTIONAL EQUIPMENT

- Elevation and inclination speed control.
- Wireless control system, through radio frequency.
- Weight system.
- Automatic stop system when “not in use”.
- Personalized and intelligent load attaching system.
- MEMORY device, permits the saving of multiple positions for repetitive works

WE ARE SPECIALIZED IN THE FABRICATION OF POSITIONERS WITH SPECIAL FEATURES, MEASUREMENTS AND CAPACITIES IN ORDER TO MEET THE REQUIREMENTS OF EACH USER.

HIDROGARNE

Pol. Ind. Hostal Nou, 2
25250 Bellpuig –Lleida- Spain
Tel. +34 973 320 666 Fax +34 973 321 312
info@hidrogarne.com

WHO WE ARE

Active in the market since 1987. A corporate trajectory which began with the supply of machinery exclusively for the Spanish market, we gradually branched out into several different European countries and we are **now exporting** our hydraulic positioners **to over 20 countries all over the world.**

We are backed by over 25 years of experience in innovation, quality and commitment to our customers. Our continuous progress over all these years has led to us becoming **leaders in the manufacture of hydraulic positioners.**

Convinced of the quality of our hydraulic positioners, we have extended our manufacturing **guarantee to a period of 2 years.**

Our entire range of hydraulic positioners is **totally manufactured by HIDROGARNE.**

We are specialized in making hydraulic positioners with the capacities, measurements and technical characteristics adapted to your needs.

Made in Spain

www.hidrogarne.com